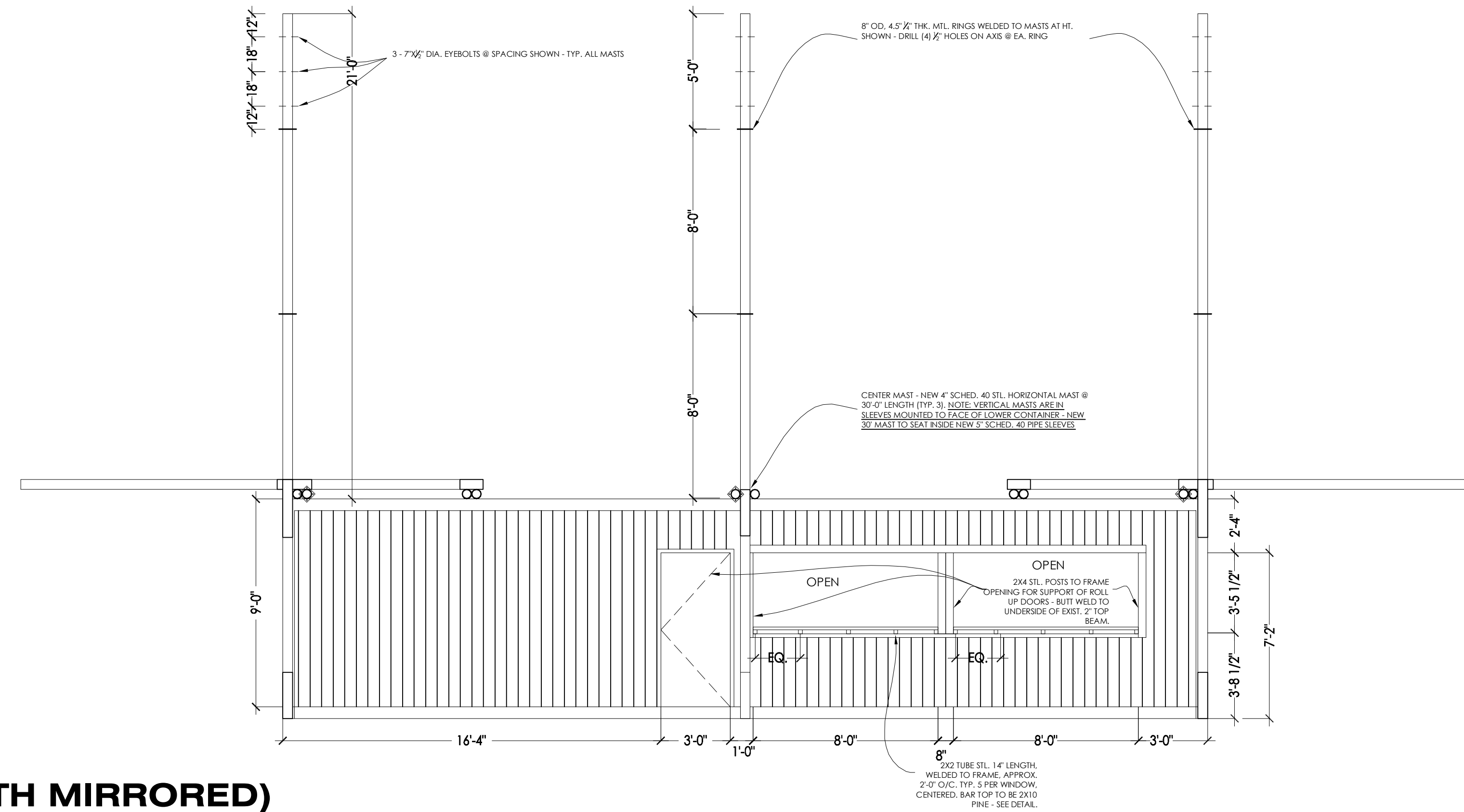
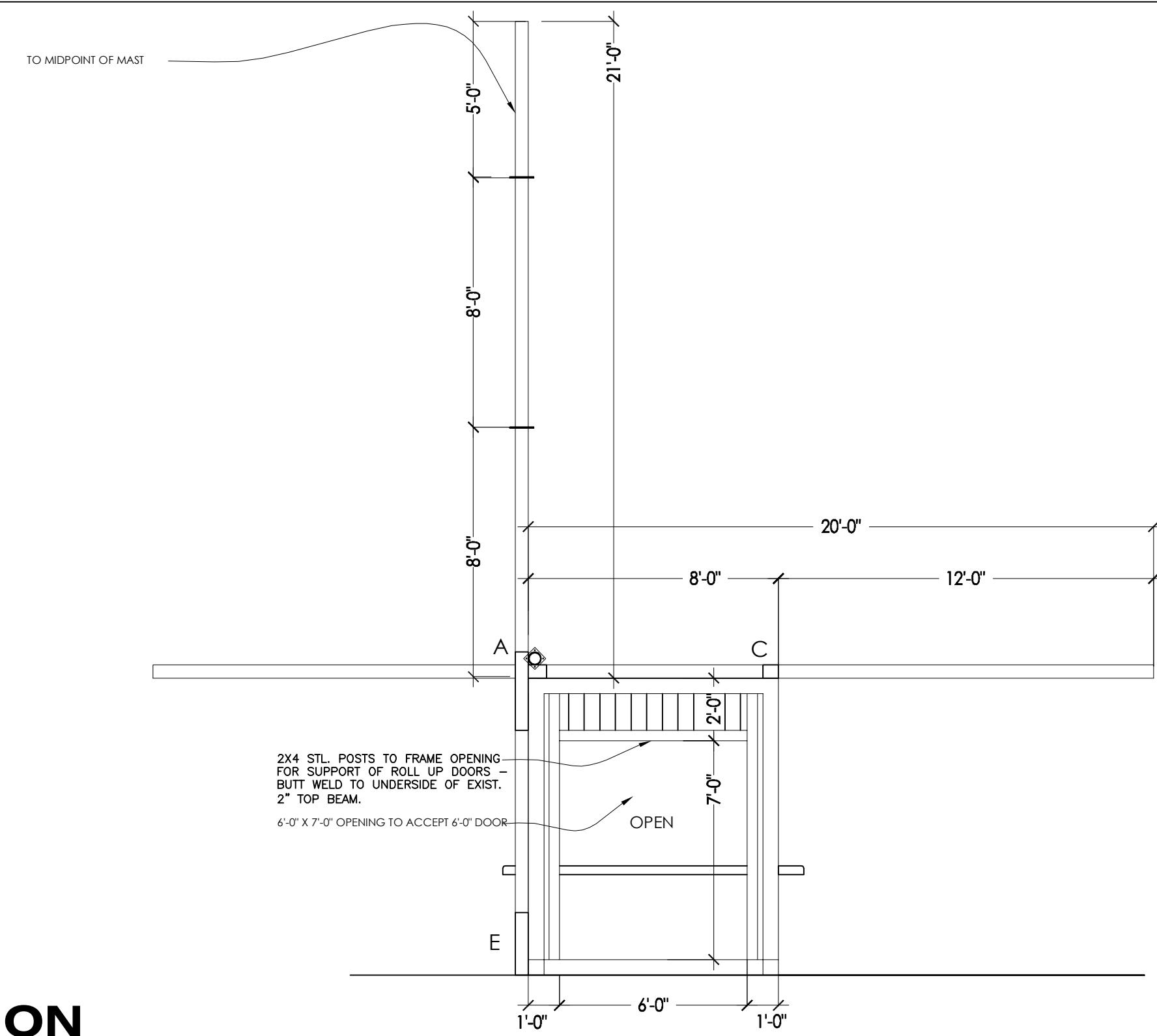


FIELD CHECK ALL DIMENSIONS BEFORE CUTTING. CONTAINERS WILL VARY.



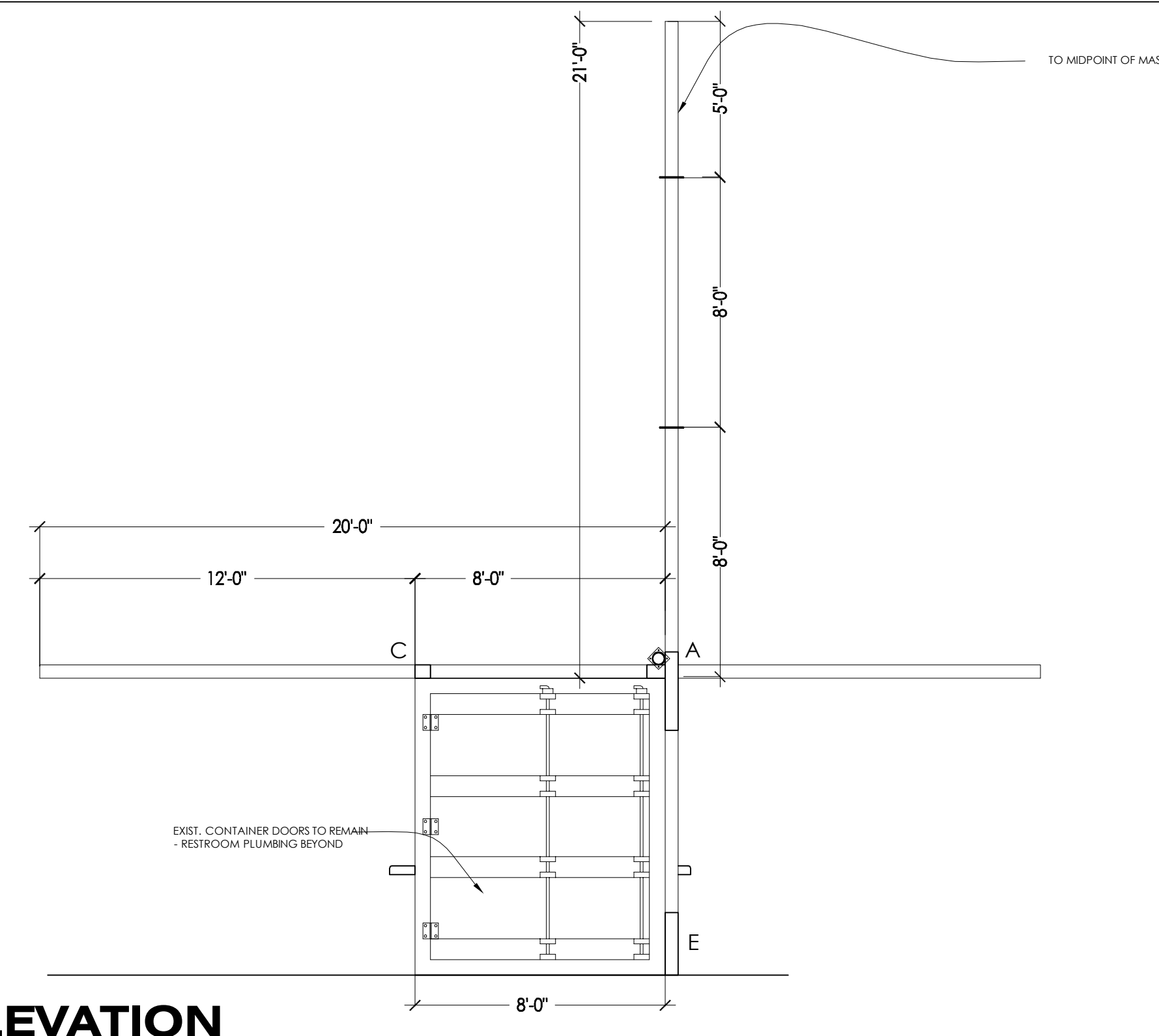
SOUTH ELEVATION W/ MASTS (NORTH MIRRORED)

SCALE: 1/4" = 1'-0"



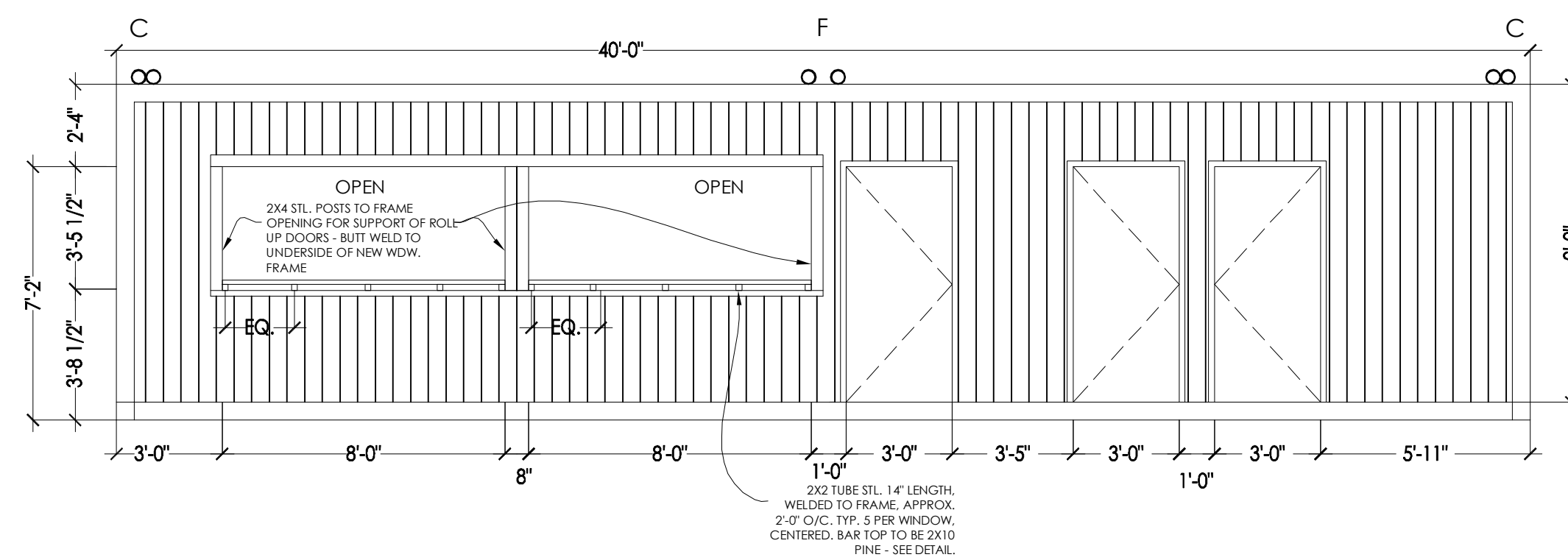
WEST ELEVATION

SCALE: 1/4" = 1'-0"



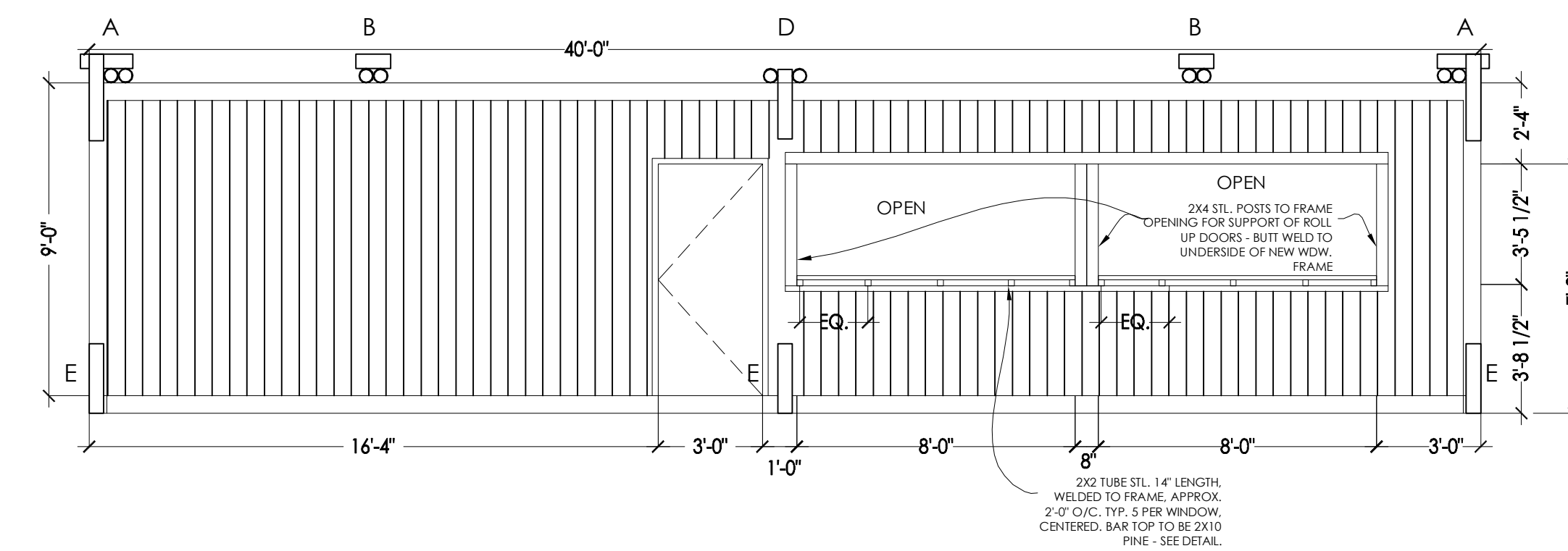
EAST ELEVATION

SCALE: 1/4" = 1'-0"



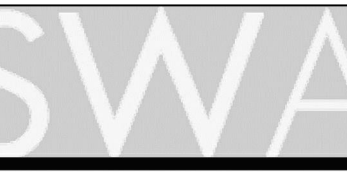
CONTAINER OPENING - OUTSIDE

SCALE: 1/4" = 1'-0"



CONTAINER OPENING - INSIDE

SCALE: 1/4" = 1'-0"



Saunders + Wiant
Architects, Inc.

MEDICAL COMMERCIAL RESIDENTIAL
2700 WEST COAST HIGHWAY,
SUITE 200, NEWPORT BEACH,
CALIFORNIA 92663
P: 949.721.0330
F: 949.721.0367
WWW.ARCHITECTSOCI.COM



America's Icehouse
New Bar Project for Scott Arnold

ELEVATIONS

PROJECT NO. 2719
DATE: 8/7/13
REVISIONS:

SHEET NO.

A-1.1